

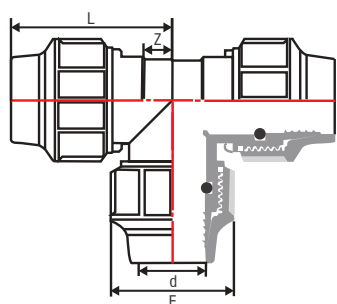
PP COMPRESSION

PP FITTINGS

COMPRESSION
FITTINGS ARE
MECHANICAL
JOINT FITTINGS
MADE OF
POLYPROPYLENE.
IT CAN BE USED FOR
JOINING ALL KINDS OF
HDPE AND LDPE PIPES.



PP COMPRESSION EQUAL TEE PN 16



PART #	DIAMETER Ød	E	L	Z
0330NTEEO050HP	20	46	70	12
0330NTEEO075HP	25	55	82	20
0330NTEEO100HP	32	63	95	23
0330NTEEO125HP	40	80	109	25
0330NTEEO150HP	50	96	134	27
0330NTEEO200HP	63	115	167	34
0330NTEEO250HP	75	129	198	46
0330NTEEO300HP	90	155	220	48
0330NTEEO400HP	110	184	278	65



/hydroplast-fittings



hydroplast



/hydroplast



info@hydroplast.pk

WWW.HYDROPLAST.PK

PP COMPRESSION
FITTINGS