



PVC-U

SCH 80 FITTINGS

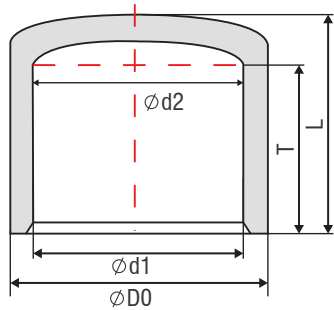
EASE
OF **INSTALLATION**
MAKES PVC-U
MOST **ACCEPTABLE**
PLASTIC PIPING
SYSTEM



ASTM-D2467

END CAP

TYPE S
SCH 80



PART #	NOMINAL SIZE	UNIT OF MEASURE: MM				
		DO	d1	d2	T	L
0307GCAP0050HP	1/2"	29.54	21.54	21.23	23.22	30.80
0307GCAP0075HP	3/4"	35.31	26.87	26.57	26.40	35.13
0307GCAP0100HP	1"	43.70	33.66	33.27	29.57	40.00
0307GCAP0125HP	1-1/4"	53.05	42.42	42.04	32.75	45.00
0307GCAP0150HP	1-1/2"	59.86	48.56	48.11	35.93	49.00
0307GCAP0200HP	2"	72.23	60.63	60.17	39.10	53.95
0307GCAP0250HP	2-1/2"	87.98	73.38	72.85	45.45	64.20
0307GCAP0300HP	3"	105.30	89.31	88.70	48.63	58.00
0307GCAP0400HP	4"	132.00	114.76	114.07	58.15	81.00
0307GCAP0500HP	5"	161.80	141.81	141.04	67.68	106.50
0307GCAP0600HP	6"	190.85	168.83	168.00	77.20	119.55
0307GCAP0800HP	8"	245.85	219.84	218.69	102.60	141.70
0307GCAP1000HP	10"	305.80	273.81	272.67	128.00	186.25
0307GCAP1200HP	12"	361.60	324.60	323.47	153.40	228.00



/hydroplast-fittings



hydroplast



/hydroplast



info@hydroplast.pk

WWW.HYDROPLAST.PK

FITTINGS
PVC-U