



PVC-U

SCH 80 FITTINGS

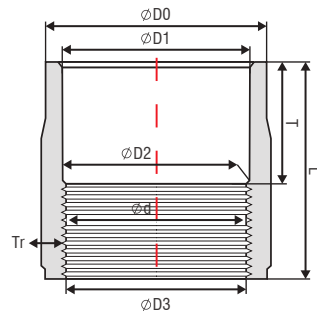
EASE
OF **INSTALLATION**
MAKES PVC-U
MOST **ACCEPTABLE**
PLASTIC PIPING
SYSTEM



ASTM-D2467

FEMALE ADAPTOR

TYPE S X FT
SCH 80



PART #	NOMINAL SIZE	UNIT OF MEASURE: MM							
		D0	D1	D2	D3	d	T	L	Tr
0307GFAP0050HP	1/2"	29.70	21.54	21.23	29.22	16.00	23.22	40.22	1/2"
0307GFAP0075HP	3/4"	35.30	26.87	26.57	34.97	20.60	26.40	44.40	3/4"
0307GFAP0100HP	1"	43.70	33.66	33.27	43.35	26.00	29.57	49.60	1"
0307GFAP0125HP	1-1/4"	53.10	42.42	42.04	52.58	36.00	32.75	55.25	1-1/4"
0307GFAP0150HP	1-1/2"	59.90	48.56	48.11	59.45	41.00	35.93	58.45	1-1/2"
0307GFAP0200HP	2"	73.10	60.63	60.17	72.10	52.00	39.10	66.60	2"
0307GFAP0250HP	2-1/2"	88.00	73.38	72.85	87.30	64.00	45.45	77.50	2-1/2"
0307GFAP0300HP	3"	105.30	89.31	88.70	104.60	78.00	48.63	83.65	3"
0307GFAP0400HP	4"	132.00	114.76	114.07	131.65	102.50	58.15	99.70	4"



/hydroplast-fittings



hydroplast



/hydroplast



info@hydroplast.pk

WWW.HYDROPLAST.PK

FITTINGS
PVC-U