



PVC-U

SCH 80 FITTINGS

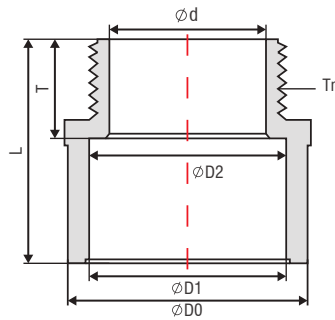
EASE
OF **INSTALLATION**
MAKES PVC-U
MOST **ACCEPTABLE**
PLASTIC PIPING
SYSTEM



ASTM-D2467

MALE ADAPTOR

TYPE S X MT
SCH 80



PART #	NOMINAL SIZE	UNIT OF MEASURE: MM						
		D0	D1	D2	d	T	L	Tr
0307GMAP0050HP	1/2"	29.55	21.54	21.23	11.30	23.22	41.50	1/2"
0307GMAP0075HP	3/4"	33.27	26.87	26.57	16.00	26.40	45.90	3/4"
0307GMAP0100HP	1"	42.04	33.66	33.27	21.35	29.57	51.50	1"
0307GMAP0125HP	1-1/4"	48.11	42.42	42.04	28.80	32.75	56.80	1-1/4"
0307GMAP0150HP	1-1/2"	60.17	48.56	48.11	32.50	35.93	61.50	1-1/2"
0307GMAP0200HP	2"	72.85	60.63	60.17	41.30	39.10	71.00	2"
0307GMAP0250HP	2-1/2"	88.70	73.38	72.85	55.80	45.45	82.00	2-1/2"
0307GMAP0300HP	3"	105.45	89.31	88.70	67.30	48.63	88.65	3"
0307GMAP0400HP	4"	132.00	114.76	114.07	91.60	58.15	104.65	4"



/hydroplast-fittings



hydroplast



/hydroplast



info@hydroplast.pk

WWW.HYDROPLAST.PK

FITTINGS
PVC-U