



PVC-U

SCH 80 FITTINGS

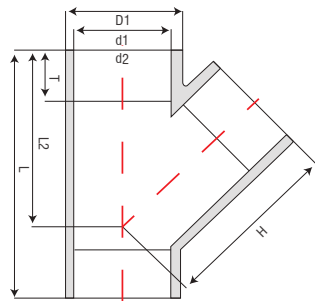
EASE
OF **INSTALLATION**
MAKES PVC-U
MOST **ACCEPTABLE**
PLASTIC PIPING
SYSTEM



ASTM-D2467

YEE

TYPE S X S X S
SCH 80



PART #	NOMINAL SIZE	UNIT OF MEASURE: MM						
		D1	d1	D2	T	L	L2	H
0307GYEE0050HP	1/2"	29.10	21.54	21.23	23.22	82.50	53.22	53.22
0307GYEE0075HP	3/4"	34.90	26.87	26.57	26.40	97.80	62.40	62.40
0307GYEE0100HP	1"	42.90	33.66	33.27	29.58	114.20	74.58	74.58
0307GYEE0125HP	1 - 1/4"	52.00	42.42	42.04	32.75	131.50	88.75	88.75
0307GYEE0150HP	1 - 1/2"	60.00	48.56	48.11	35.93	149.90	101.93	101.93
0307GYEE0200HP	2"	75.00	60.63	60.17	39.10	177.20	124.10	124.10
0307GYEE0250HP	2 - 1/2"	91.00	73.38	72.85	45.50	210.00	146.50	146.50
0307GYEE0300HP	3"	107.00	89.31	88.70	51.20	244.50	173.20	173.20
0307GYEE0400HP	4"	134.00	114.76	114.07	61.20	298.50	210.20	210.20
0307GYEE0500HP	5"	168.00	141.81	141.04	76.20	376.40	266.20	266.20
0307GYEE0600HP	6"	191.00	168.83	168.00	86.20	426.40	299.20	299.20
0307GYEE0800HP	8"	260.00	219.84	218.69	118.70	587.40	414.70	414.70

CENIT®
PVC NSF_{pw}
D2467 SCH80



 /hydroplast-fittings

 hydroplast

 /hydroplast

 info@hydroplast.pk

WWW.HYDROPLAST.PK

FITTINGS
PVC-U