

VALVES

MANUAL & AUTOMATIC

VALVES
ARE MECHANICAL
DEVICES THAT
CONTROL THE **FLOW**
AND **PRESSURE** WITHIN
A SYSTEM
OR PROCESS.

PVC - U ANGLE SEAT VALVE

General:

Material	PVC-U
Seal Material	EPDM/EPDM+PE
Control Option	Manual Control
Dimensions	DN10 - DN50



VALVE SPECIFICATION

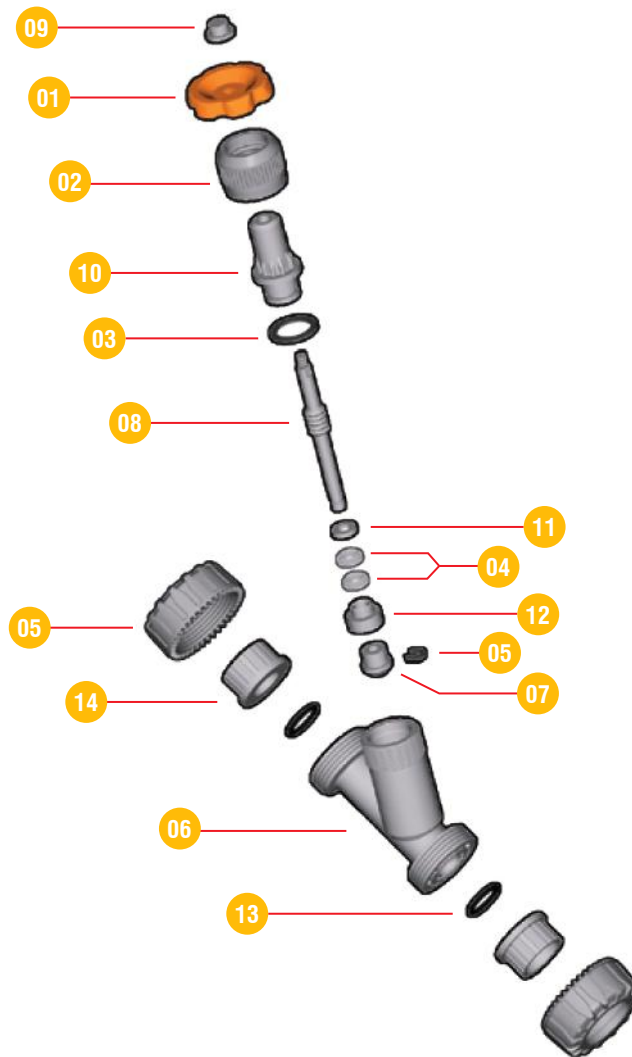
- Material : PVC-U.
- Size : DN 10 - 50.
- Standard : Construction Criteria: EN ISO 1452, EN ISO 15493.
- Test methods and requirements: ISO 9393.
- Installation criteria: DVS 2204, DVS 2221, UNI 11242.
- Connection : Solvent welding, threaded flanging system.
- Colour Body : Dark gray.

PRODUCT FEATURES

- Angle Seat valve is a shutting off and regulating valve specially for clean liquids.
- Suitable for flow control applications.
- Suitable for horizontal and vertical applications.
- Valve material PVC-U is compatible with drinking water and food substance regulations.

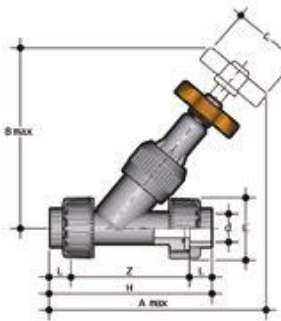
ANGLE SEAT VALVE PVC - U

COMPONENTS Exploded View



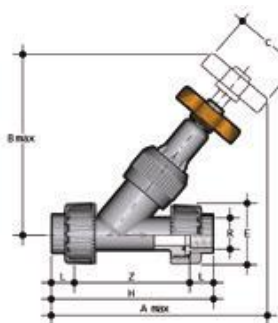
No.	Name	Quantity	Material
01	Handwheel	1	PVC-U
02	Union Nut	1	PVC-U
03	O-Ring	1	EPDM-FPM
04	Gland Packing	1	PE-PTFE
05	Locking Clip	1	PVC-U
06	Body	1	PVC-U
07	Shutter	1	PVC-U
08	Stem	1	PVC-U
09	Nut	1	PVC-U
10	Bonnet	1	PVC-U
11	Bottom Sleeve	1	PVC-U
12	Gland	1	PVC-U
13	Socket Seal O-ring	2	EPDM-FPM
14	End Connector	2	PVC-U
15	Union Nut	2	PVC-U

ANGLE SEAT VALVE PVC - U



CONNECTION TYPES METRIC SOLVENT SOCKET SERIES

PART #	Size	DIMENSIONS (mm)								
	d	DN	PN	A Max	B Max	C	E	H	L	Z
0507ASV3E10035	16	10	16	170	124	60	55	135	14	107
0507ASV3E10050	20	15	16	173	124	60	55	135	16	103
0507ASV3E10075	25	20	16	197	146	60	66	158	19	120
0507ASV3E10100	32	25	16	223	173	70	75	176	22	132
0507ASV3E10125	40	32	16	258	195	85	87	207	26	155
0507ASV3E10150	50	40	16	295	222	105	100	243	31	181
0507ASV3E10200	63	50	16	359	269	130	120	298	38	222



CONNECTION TYPES ASTM SOLVENT SOCKET SERIES

PART #	Size	DIMENSIONS (mm)								
	d	DN	PN	A Max	B Max	C	E	H	L	Z
0507ASV3E30035	3/8"	10	16	170	124	60	55	135	11.4	112.2
0507ASV3E30050	1/2"	15	16	173	124	60	55	143	15	113
0507ASV3E30075	3/4"	20	16	197	146	60	66	160	16.3	127.4
0507ASV3E30100	1"	25	16	223	173	70	75	183	19.1	144.8
0507ASV3E30125	1 1/4"	32	10	258	195	85	87	214	21.4	171.2
0507ASV3E30150	1 1/2"	40	10	295	222	105	100	235	21.4	192.2
0507ASV3E30200	2"	50	10	359	269	130	120	285	25.7	233.6



MANUAL & AUTOMATIC
VALVES