

VALVES

MANUAL & AUTOMATIC

VALVES
ARE MECHANICAL
DEVICES THAT
CONTROL THE **FLOW**
AND **PRESSURE** WITHIN
A SYSTEM
OR PROCESS.

PVC - U
BALL
CHECK VALVE
SXE - 10 / 100

General:

| | |
|---------------------------|-------------|
| Material | PVC-U |
| Seal Material | EPDM / FPM |
| Ball Seating Joint | PTFE |
| Dimensions | DN 10 - 100 |



VALVE
SPECIFICATION

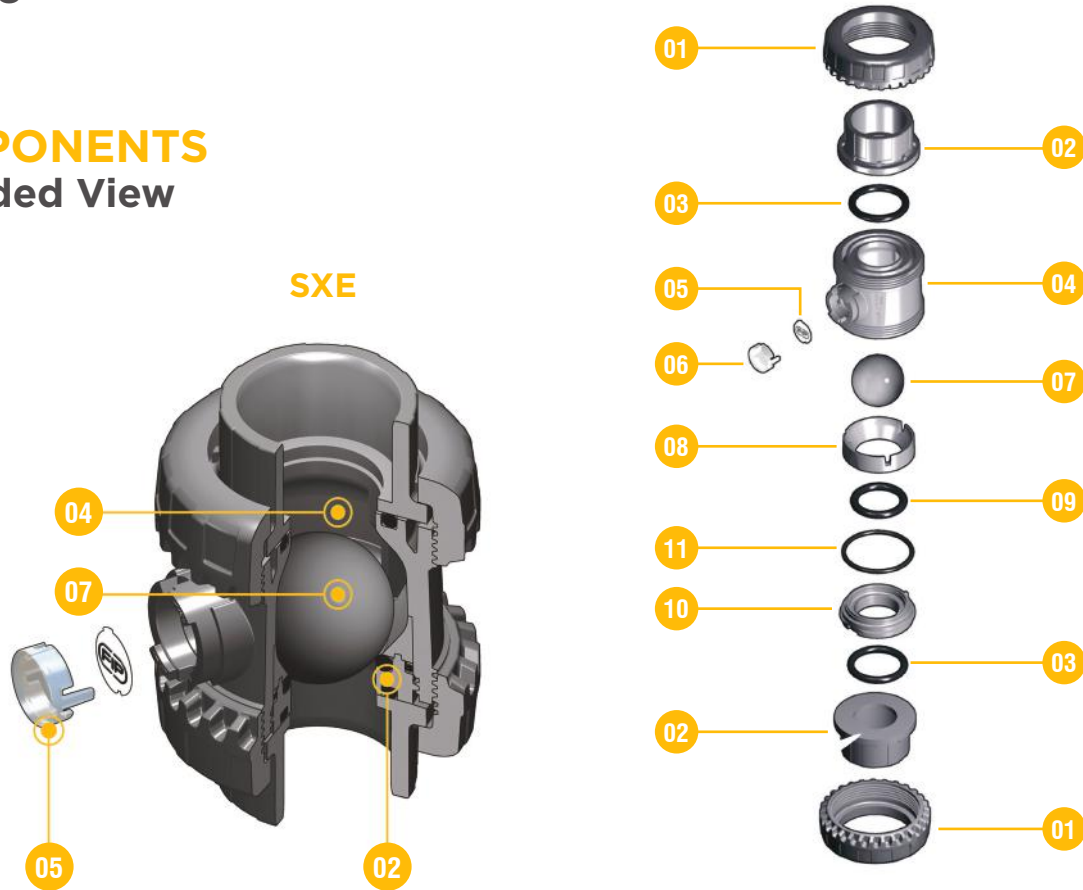
- Material : PVC-U
- Size : DN 10 - 100
- Standard : construction criteria: EN ISO 1452, EN ISO 15493
- Test methods and requirements: ISO 9393
- Installation Criteria: DVS 2204, DVS 2221, UNI 11242
- Connection : Socket threaded
- Colour Body : Dark gray

PRODUCT
FEATURES

- Lowest operating torque.
- Parts can be replaced, simple and economical.
- The Material is nano-modified to improve the pressure resistance.
- Thickened Valve body for high compression resistance.
- Each valve 100% pressure tested.
- The body and seal are specially treated for better performance.

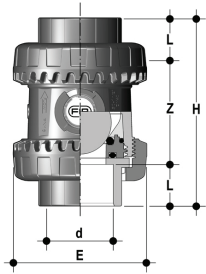
BALL CHECK VALVE - SXE PVC - U

COMPONENTS Exploded View



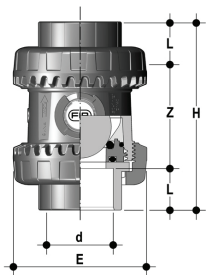
| No. | Name | Quantity |
|-----|-------------------------------|----------|
| 01 | Union Nut | 1 |
| 02 | End Connector | 1 |
| 03 | Socket Seal O-Ring (EPDM-FKM) | 1 |
| 04 | Body | 1 |
| 05 | Tag Holder | 1 |
| 06 | Transparent Protection Plug | 1 |
| 07 | Ball | 1 |
| 08 | Shutter | 1 |
| 09 | Gland Packing Ring | 1 |
| 10 | Ball Seat O-Ring | 1 |
| 11 | Shutter Gasket | 1 |
| 12 | Ball Seat Carrier | 1 |
| 13 | Radial Seal O-Ring | 1 |
| 14 | Spring (Stainless Steel) | 1 |

BALL CHECK VALVE - SXE PVC - U



CONNECTION TYPES METRIC SOLVENT SOCKET SERIES

| PART # | Size | DIMENSIONS (mm) | | | | | | |
|----------------|------|-----------------|----|-----|-----|----|-----|------|
| | (d) | DN | PN | E | H | L | Z | g |
| 0507SXE3EI0035 | 16 | 10 | 16 | 54 | 82 | 14 | 54 | 145 |
| 0507SXE3EI0050 | 20 | 15 | 16 | 54 | 82 | 16 | 50 | 148 |
| 0507SXE3EI0075 | 25 | 20 | 16 | 63 | 91 | 19 | 53 | 190 |
| 0507SXE3EI0100 | 32 | 25 | 16 | 72 | 103 | 22 | 59 | 300 |
| 0507SXE3EI0125 | 40 | 32 | 16 | 85 | 120 | 26 | 68 | 460 |
| 0507SXE3EI0150 | 50 | 40 | 16 | 100 | 139 | 31 | 77 | 675 |
| 0507SXE3EI0200 | 63 | 50 | 16 | 118 | 174 | 38 | 98 | 1080 |
| 0507SXE3EI0250 | 75 | 65 | 16 | 157 | 211 | 44 | 123 | 2605 |
| 0507SXE3EI0300 | 90 | 80 | 16 | 174 | 148 | 51 | 146 | 3300 |
| 0507SXE3EI0400 | 110 | 100 | 16 | 212 | 283 | 61 | 161 | 5770 |



CONNECTION TYPES ASTM SOLVENT SOCKET SERIES

| PART # | Size | DIMENSIONS (mm) | | | | | | |
|----------------|--------|-----------------|----|-----|-----|------|-------|------|
| | R | DN | PN | E | H | L | Z | g |
| 0507SXE3E30035 | 3/8" | 10 | 16 | 54 | 82 | 11.4 | 59.2 | 145 |
| 0507SXE3E30050 | 1/2" | 15 | 16 | 54 | 90 | 15 | 60 | 148 |
| 0507SXE3E30075 | 3/4" | 20 | 16 | 63 | 93 | 16.3 | 60.4 | 190 |
| 0507SXE3E30100 | 1" | 25 | 16 | 72 | 110 | 19.1 | 71.8 | 300 |
| 0507SXE3E30125 | 1 1/4" | 32 | 16 | 85 | 127 | 21.4 | 84.2 | 460 |
| 0507SXE3E30150 | 1 1/2" | 40 | 16 | 100 | 131 | 21.4 | 88.2 | 675 |
| 0507SXE3E30200 | 2" | 50 | 16 | 118 | 161 | 25.7 | 109.6 | 1080 |
| 0507SXE3E30250 | 2 1/2" | 65 | 16 | 157 | 211 | 30.2 | 150.5 | 2605 |
| 0507SXE3EI0300 | 3" | 80 | 16 | 174 | 248 | 33.3 | 181.4 | 3300 |
| 0507SXE3EI0400 | 4" | 100 | 16 | 212 | 283 | 39.3 | 204.4 | 5770 |



MANUAL & AUTOMATIC
VALVES