

# VALVES

MANUAL & AUTOMATIC

**VALVES**  
ARE MECHANICAL  
DEVICES THAT  
CONTROL THE **FLOW**  
AND **PRESSURE** WITHIN  
**A SYSTEM**  
OR PROCESS.

**PVC - U**  
**BUTTERFLY**  
**VALVE**  
**PNEUMATICALLY**  
**ACTUATED**

**General:**

Material	PVC-U
Seal Material	EPDM
Ball Seating Joint	PTFE
Dimensions	10-50



**VALVE**  
**SPECIFICATION**

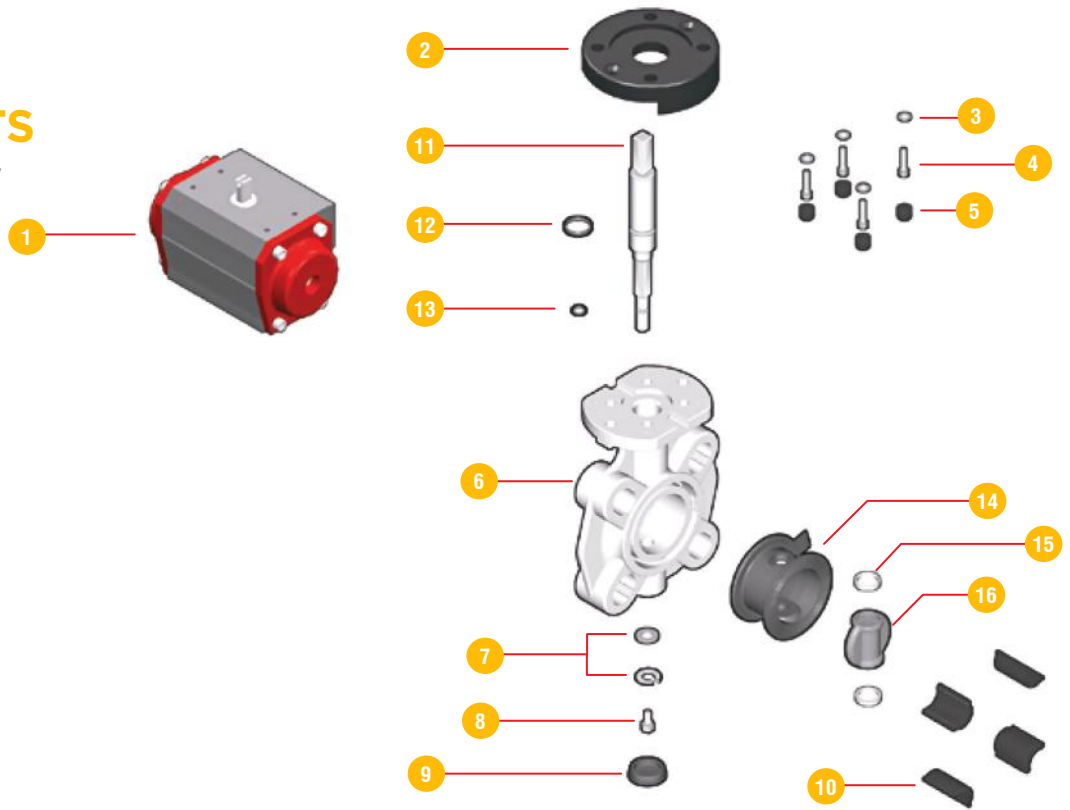
- FK butterfly valve is mounted with suitable pneumatic actuator using a flange plate as per ISO 5211.
- Pneumatic actuators are highly effective in open environment, complete operation by compressed air.
- Additional accessories include optical position indicator, electro pneumatic positioner limit switch box and 3-5/2 way pilot solenoid valve.

**PRODUCT**  
**FEATURES**

- Pneumatic actuator selected according to application requirement of reliability and quality.
- Normally closed, normally open and double acting functions - All available.
- Valve body in pp-gr resistant to uv rays and completely isolated from fluid.
- Availability of wide range of accessories including solenoid, limit switches etc.

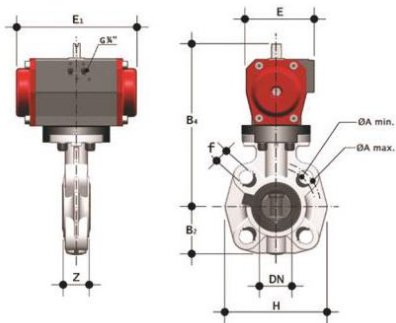
## PNEUMATICALLY ACTUATED BUTTERFLY VALVE

### COMPONENTS Exploded View



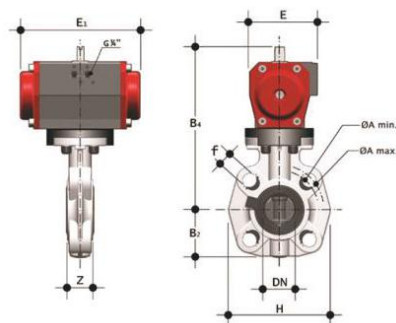
No.	Name	Quantity	Material
1	Pneumatic Actuator	-	-
2	Flange	1	PP-GR
3	Washer	2	STAINLESS STEEL
4	Nut	2	STAINLESS STEEL
5	Seeger Ring	1	STAINLESS STEEL
6	Body	1	PP-GR
7	Washer	1	STAINLESS STEEL
8	Screw	1	STAINLESS STEEL
9	Protection	1	PE
10	Insets	4-8	ABS
11	Stem	316-1	STAINLESS STEEL
12	Stem O-Ring	1	FPM
13	Stem O-Ring	1	FPM
14	Liner	1	EPDM or FPM
15	Anti-Friction Ring	2	PTFE
16	Disk	1	PVC-U

## PNEUMATICALLY ACTUATED BUTTERFLY VALVE



### CONNECTION TYPE FKOV / CP DA DN 40 - 65

PART #	Size	DIMENSIONS (mm)												
	d	DN	PN	B2	H	Z	A-Min	A-Max	f	U	B2	E	E1	g
0507PBS3E50150	1 1/2"	40	16	60	132	33	99	109	19	4	209	86	155	2170
0507PBS3E50200	2"	50	16	70	147	43	115	126	19	4	215	86	155	2350
0507PBS3E50250	2 1/2"	65	10	80	165	46	128	144	19	4	222	86	155	2600
0507PBS3E50300	3"	80	10	93	185	49	145	160	19	12	253	94	210	4300
0507PBS3E50400	4"	100	10	107	211	56	165	190	19	8	110	104	228	5950
0507PBS3E50500	5"	125	10	120	240	64	204	215	23	8	297	104	228	6750
0507PBS3E50600	6"	150	10	134	268	70	230	242	23	8	325	120	280	9100
0507PBS3E50800	8"	200	10	161	323	71	280	298	23	8	399	134	310	15200



### CONNECTION TYPE FKOV CP NC DN 80 - 200

PART #	Size	DIMENSIONS (mm)												
	d	DN	PN	B2	H	Z	A-Min	A-Max	f	U	B2	E	E1	g
0507PBS3E50150	1 1/2"	40	16	60	132	33	99	109	19	4	209	86	155	2170
0507PBS3E50200	2"	50	16	70	147	43	115	126	19	4	215	86	155	2350
0507PBS3E50250	2 1/2"	65	10	80	165	46	128	144	19	4	222	86	155	2600
0507PBS3E50300	3"	80	10	93	185	49	145	160	19	12	253	94	210	4300
0507PBS3E50400	4"	100	10	107	211	56	165	190	19	8	110	104	228	5950
0507PBS3E50500	5"	125	10	120	240	64	204	215	23	8	297	104	228	6750
0507PBS3E50600	6"	150	10	134	268	70	230	242	23	8	325	120	280	9100
0507PBS3E50800	8"	200	10	161	323	71	280	298	23	8	399	134	310	15200



MANUAL & AUTOMATIC  
VALVES