

# VALVES

MANUAL & AUTOMATIC

**VALVES**  
ARE MECHANICAL  
DEVICES THAT  
CONTROL THE **FLOW**  
AND **PRESSURE** WITHIN  
**A SYSTEM**  
OR PROCESS.

**PVC - U**  
**COMPACT**  
**BALL VALVE**  
**SOCKET**

**General:**

Material	PVC - U
Seal Material	ASTM - DIN*
Ball Seating Joint	PTFE
Dimensions	DN15 - DN100



**VALVE**  
**SPECIFICATION**

- Material : PVC-U.
- Size : DN 15-100.
- Standard : ASTM - DIN.
- Connection : Socket - Threaded.
- Colour Body : Dark gray.
- Handle : Red.
- Rated at Full 150 PSI.
- EPDM Seals.

**PRODUCT**  
**FEATURES**

- Rugged compact design combined with EPDM seals, full porting and 150PSI pressure rating.
- Completely encapsulated design does not require any adjustment.
- Light weight, low cost and compact design make it ideal for all light to medium applications.
- Each Valve 100% Pressure Tested.

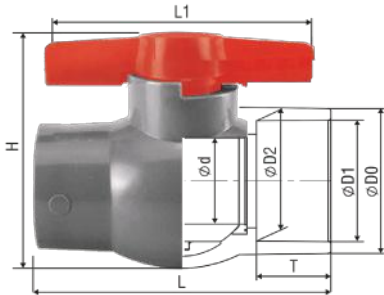
## COMPACT BALL VALVE PVC - U

### COMPONENTS Exploded View



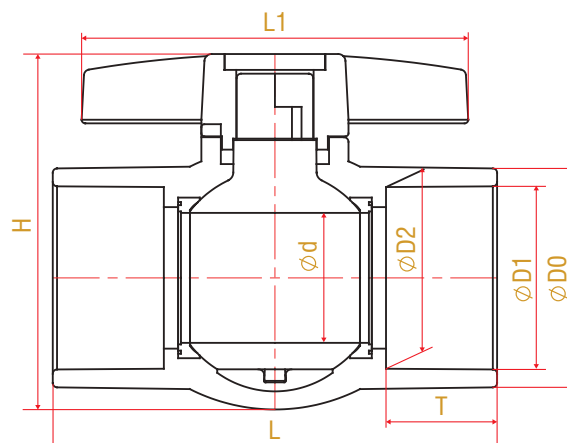
No.	Name	Quantity	Material
01	Handle	1	UPVC
02	Mark Cap	1	UPVC
03	Ball	1	PP
04	Valve Body	1	UPVC
05	O-Ring	1	NR
06	Ball Seat	2	TPE

## COMPACT BALL VALVE PVC - U



### CONNECTION TYPES ASTM SOLVENT SOCKET SERIES

PART #	Size	DIMENSIONS (mm)							
	d	DN	PN	D0	D1	T	H	L1	L
0507CBV2E10050	1/2"	15	16	30	20	17	60	70	74
0507CBV2E10075	3/4"	20	16	34	25	20	68	80	85
0507CBV2E10100	1"	25	16	42	32	23	80	92	98
0507CBV2E10125	1 1/4"	32	16	50	40	27	90	112	113
0507CBV2E10150	1 1/2"	40	16	61	50	32	105	114	128
0507CBV2E10200	2"	50	16	71	63	39	123	134	154
0507CBV2E10250	2 1/2"	65	16	87	75	45	156	190	176
0507CBV2E10300	3"	80	16	103	90	52	179	220	203
0507CBV2E10400	4"	100	16	129	110	62	209	250	260





MANUAL & AUTOMATIC  
VALVES