

VALVES

MANUAL & AUTOMATIC

VALVES
ARE MECHANICAL
DEVICES THAT
CONTROL THE **FLOW**
AND **PRESSURE** WITHIN
A SYSTEM
OR PROCESS.

PVC - U
COMPACT
BALL VALVE
THREADED

General:

Material	PVC - U
Seal Material	ASTM - DIN*
Ball Seating Joint	PTFE
Dimensions	DN15 - DN100



VALVE
SPECIFICATION

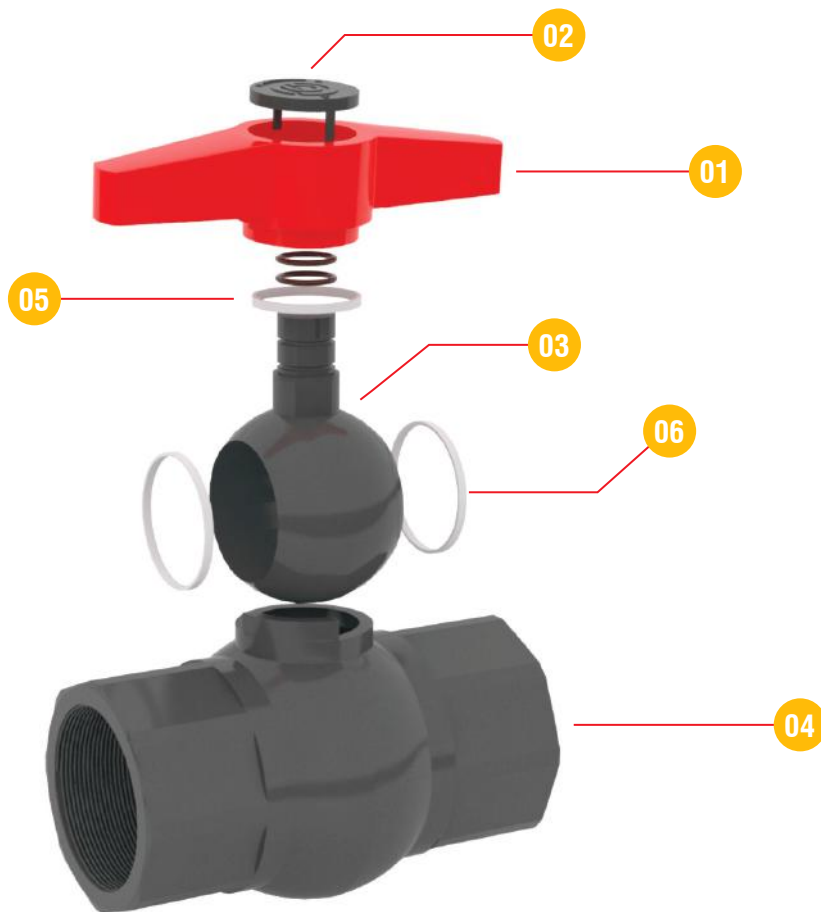
- Material : PVC-U.
- Size : DN 15-100.
- Standard : ASTM - DIN.
- Connection : Socket - Threaded.
- Colour Body : Dark gray.
- Handle : Red.
- Rated AT Full 150 PSI.
- EPDM Seals.

PRODUCT
FEATURES

- Rugged compact design combined with EPDM seals, full Porting and 150PSI Pressure Rating.
- Completely encapsulated design does not require any adjustment.
- Light weight, low cost and compact design make it ideal for all light to medium applications.
- Each valve 100% pressure tested.
- The body and seal are specially treated for better performance.

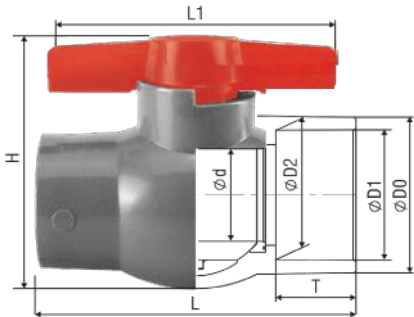
COMPACT BALL VALVE PVC - U

COMPONENTS Exploded View



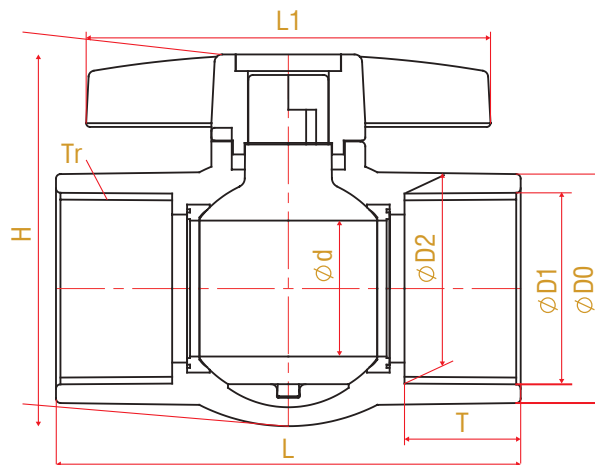
No.	Name	Quantity	Material
01	Handle	1	UPVC
02	Mark Cap	1	UPVC
03	Ball	1	PP
04	Valve Body	1	UPVC
05	O-Ring	1	NR
06	Ball Seat	2	TPE

COMPACT BALL VALVE PVC - U



CONNECTION TYPES BSP FEMALE THREADED SERIES

PART #	Size	DIMENSIONS (mm)							
	d	DN	PN	D0	D1	T	H	L1	L
0507CBV2E30050	1/2"	15	16	32	20	17	60	70	74
0507CBV2E30075	3/4"	20	16	38	25	20	68	80	85
0507CBV2E30100	1"	25	16	46	32	23	80	92	98
0507CBV2E30125	1-1/4"	32	16	55	40	27	90	112	113
0507CBV2E30150	1-1/2"	40	16	62	50	32	105	114	128
0507CBV2E30200	2"	50	16	75	63	36	123	134	149
0507CBV2E30250	2-1/2"	65	16	92	75	40	156	190	168
0507CBV2E30300	3"	80	16	107	90	48	178	220	195
0507CBV2E30400	4"	100	16	135	110	54	209	250	244





MANUAL & AUTOMATIC
VALVES