

VALVES

MANUAL & AUTOMATIC

VALVES
ARE MECHANICAL
DEVICES THAT
CONTROL THE **FLOW**
AND **PRESSURE** WITHIN
A SYSTEM
OR PROCESS.

PVC - U
GENERAL
BUTTERFLY
VALVE
GEARED TYPE

General:

Material	PVC-U/PVC-M
Seal Material	EPDM
STEM	S.S 316
Dimensions	DN 100 - 400



VALVE
SPECIFICATION

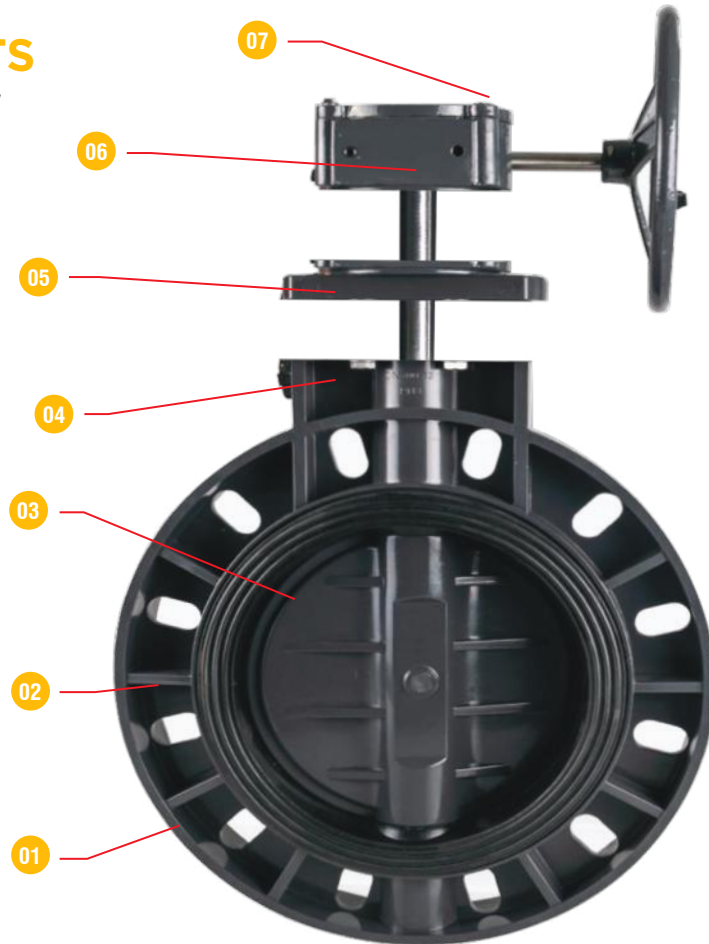
- Material : PVC-U/PVC-M
- Pressure rating: PN 10 to PN 6
- Standard : DIN
- Connection : Wafer type
- Colour Body : Dark gray
- Turbine Head : Black

PRODUCT
FEATURES

- Once piece body incorporates fully supported flange.
- Full body EPDM liner provide better sealing against the mating flange and at the same time isolates the body from fluid.
- Heavy duty gearbox assembly.
- Universal hole pattern design makes it easy to fit in plastic or metal systems.
- There are no metal wetted parts hence no chance of corrosion or contamination.

GENERAL BUTTERFLY VALVE (GEARED TYPE) PVC - U

COMPONENTS Exploded View



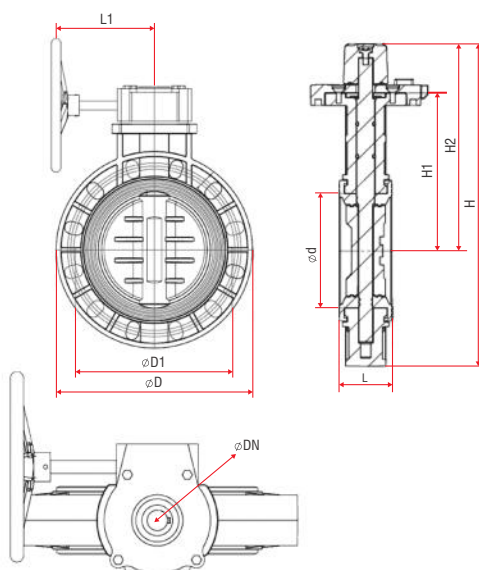
No.	Name	Quantity	Material
01	Body	1	PVC-U
02	Disc	1	PVC-U
03	Seat Seal	1	EPDM
04	O-Ring	3	EPDM
05	Shaft	1	STEEL
06	Key Pin	1	STEEL
07	Gear	1	STEEL

GENERAL BUTTERFLY VALVE (GEARED TYPE) PVC - U



CONNECTION TYPES METRIC / ISO WAFER FLANGED SERIES

PART#	Size	DIMENSIONS (mm)								
	d	DN	PN	d	L	DN	L1	H1	H	nφ e
O510BFW1E50400	110	230	10	112	46	70	216	156	320	8 - 19
O510BFW1E50500	140	255	10	138	53	70	216	174	350	8 - 19
O510BFW1E50600	160	282	10	157	59	70	216	190	391	8 - 23
O510BFW1E50800	225	243	10	214	76	70 / 102	190	229	470	8 - 23
O510BFW1E51000	280	410	8	250	85	102	190	264	540	12 - 22
O510BFW1E51200	315	284	8	290	92	102	190	302	613	12 - 22
O510BFW1E51400	355	510	6	370	95	102	190	330	660	16 - 27
O510BFW1E51600	400	570	6	420	95	140	190	360	730	16 - 30





MANUAL & AUTOMATIC
VALVES