

VALVES

MANUAL & AUTOMATIC

VALVES
ARE MECHANICAL
DEVICES THAT
CONTROL THE **FLOW**
AND **PRESSURE** WITHIN
A SYSTEM
OR PROCESS.

PVC - U
GENERAL
BUTTERFLY
VALVE
HANDLED TYPE

General:

Material	PVC-U/PVC-M
Seal Material	EPDM
STEM	S.S 316
Dimensions	DN50 - DN200



VALVE
SPECIFICATION

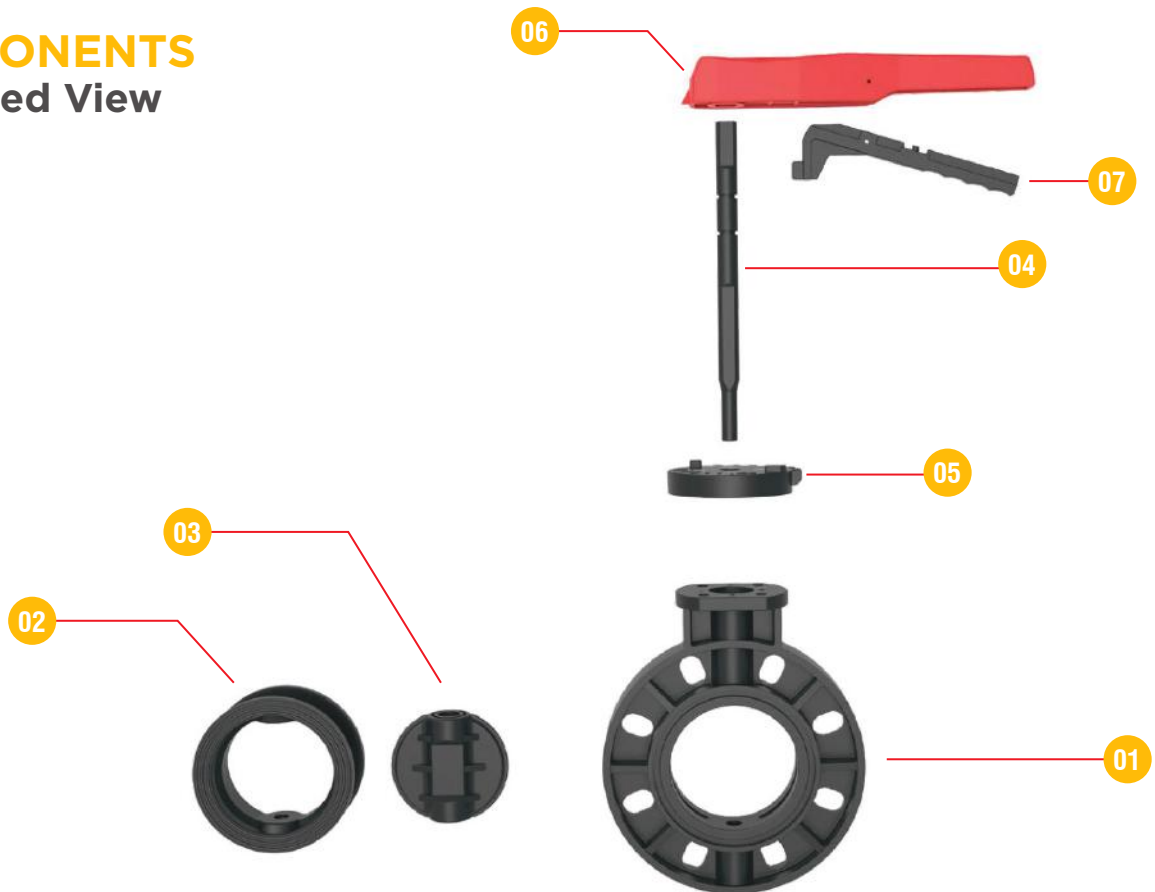
- Material : PVC-U/PVC-M.
- Size : DN 50 - 200.
- Standard : DIN.
- Connection : Flanged.
- Colour Body : Dark gray.
- Handle : Red.

PRODUCT
FEATURES

- Once piece body incorporates fully supported flange.
- Full body EPDM liner provide better sealing against the mating flange and at the same time isolates the body from fluid.
- Universal Hole pattern design makes it easy to fit in plastic or metal systems.
- There are no metal wetted parts hence no chance of corrosion or contamination.
- Good Tolerance to suspended particles but not recommended for slurries.

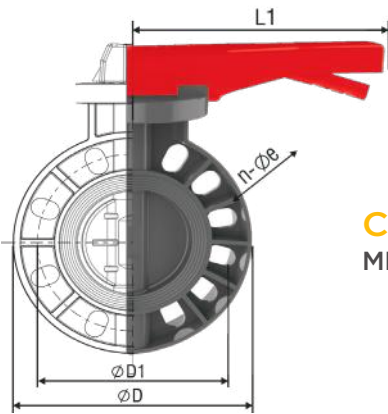
GENERAL BUTTERFLY VALVE (HANDLED TYPE) PVC - U

COMPONENTS Exploded View



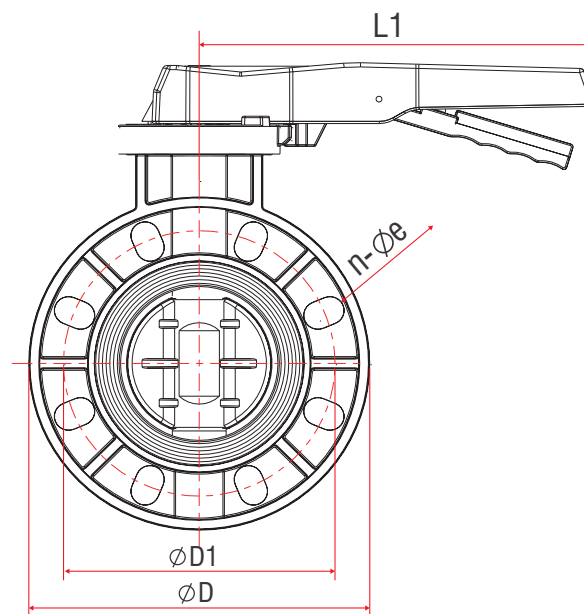
No.	Name	Quantity	Material
01	Body	1	PVC-U
02	Seat Seal	1	EPDM
03	Disc	1	PVC-U
04	O-Ring STEM	1	S.S 316
05	Plate	1	PVC-U
06	Handle	1	PVC-U
07	Lever	1	PVC-U

GENERAL BUTTERFLY VALVE (HANDLED TYPE) PVC - U



CONNECTION TYPES METRIC / ASTM WAFER TYPE FLANGED SERIES

PART#	Size	DIMENSIONS (mm)								
	d	DN	PN	d	L	DN	L1	H1	H	n-Øe
0510BFT1E50200	63	160	10	62	39	70	216	99	223	4 - 19
0510BFT1E50250	75	180	10	79	36	70	216	112	245	4 - 19
0510BFT1E50300	90	196	10	92	42	70	216	127	269	8 - 19
0510BFT1E50400	110	230	10	112	46	70	264	156	320	8 - 19
0510BFT1E50500	140	255	10	138	53	70	264	174	350	8 - 19
0510BFT1E50600	160	282	10	157	59	70/102	305	190	391	8 - 23
0510BFT1E50800	225	343	10	214	76	70/102	303	229	461	8 - 23





MANUAL & AUTOMATIC
VALVES