

VALVES

MANUAL & AUTOMATIC

VALVES
ARE MECHANICAL
DEVICES THAT
CONTROL THE **FLOW**
AND **PRESSURE** WITHIN
A SYSTEM
OR PROCESS.

PVC - U SAMPLING VALVE

General:

Material	PVC-U/PVC-M
Seal Material	EPDM
Ball Seating Joint	PTFE
Dimensions	DN-10



VALVE SPECIFICATION

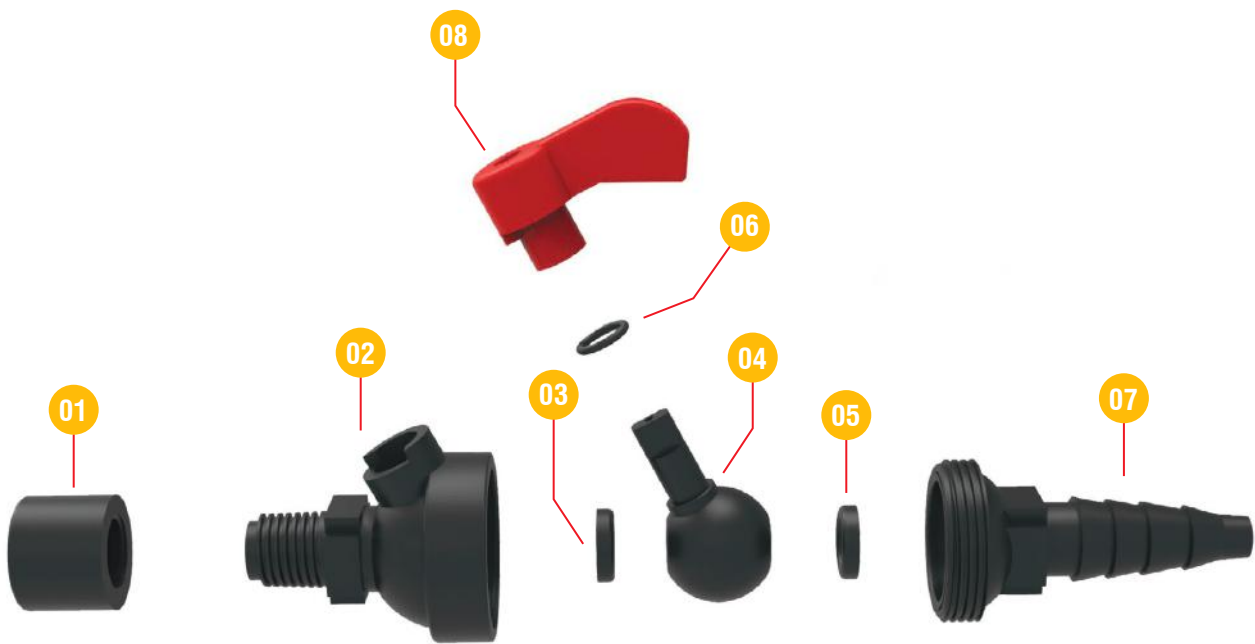
- Material : UPVC/PVC-M
- Size : DN-10
- Standard : ASTM
- Connection : Female / Male Thread X Hose
- Colour Body : Dark Gray
- CV = 1.6

PRODUCT FEATURES

- Quarter turn plastic ball valve mainly used for sampling and calibrating flow application.
- Meet Drinking Water Standards.
- Lowest operating torque.
- Parts can be replaced, simple and economical.
- Thickened Valve body for high compression resistance.
- Each valve 100% pressure tested.
- The body and seal are specially treated for better performance.

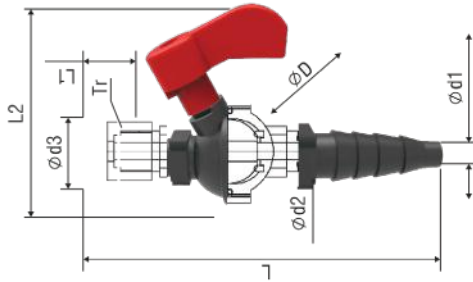
SAMPLING VALVE PVC - U

COMPONENTS Exploded View



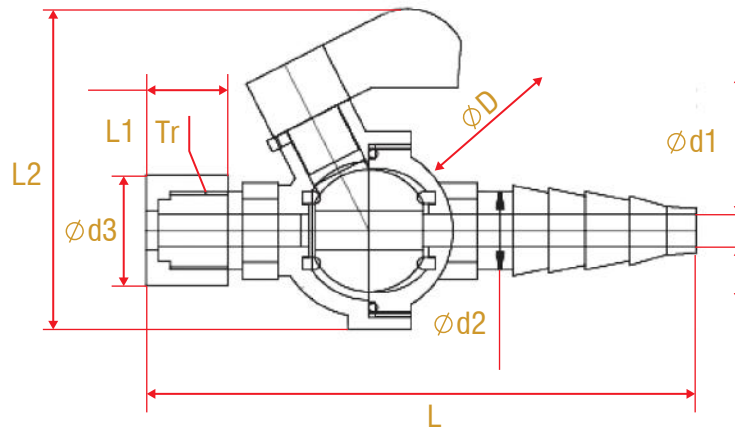
No.	Name	Quantity	Material
01	Nut	1	PVC-U/C
02	Body	1	PVC-U/C
03	Ring	1	EPDM/FPM
04	Ball	1	PVC/UC
05	Ring	1	EPDM/FPM
06	Ring	1	EPDM/FPM
07	Nozzle	1	PVC-U/C
08	lever	1	PVC-U

SAMPLING VALVE PVC - U



CONNECTION TYPES (ASTM)

PART #	Size	DIMENSIONS (mm)								
	(d)	DN	PN	D	d1	d2	d3	L	L1	L2
0507LCVIEI0125	1/4"	8	16	29	6	15	20	94	16	54





MANUAL & AUTOMATIC
VALVES