

VALVES

MANUAL & AUTOMATIC

VALVES
ARE MECHANICAL
DEVICES THAT
CONTROL THE **FLOW**
AND **PRESSURE** WITHIN
A SYSTEM
OR PROCESS.

PVC - U
SPRING
CHECK VALVE
SSE - 10 / 100

General:

Material	PVC-U
Seal Material	EPDM / FPM
Ball Seating Joint	PTFE
Dimensions	DN 10 - 100



VALVE
SPECIFICATION

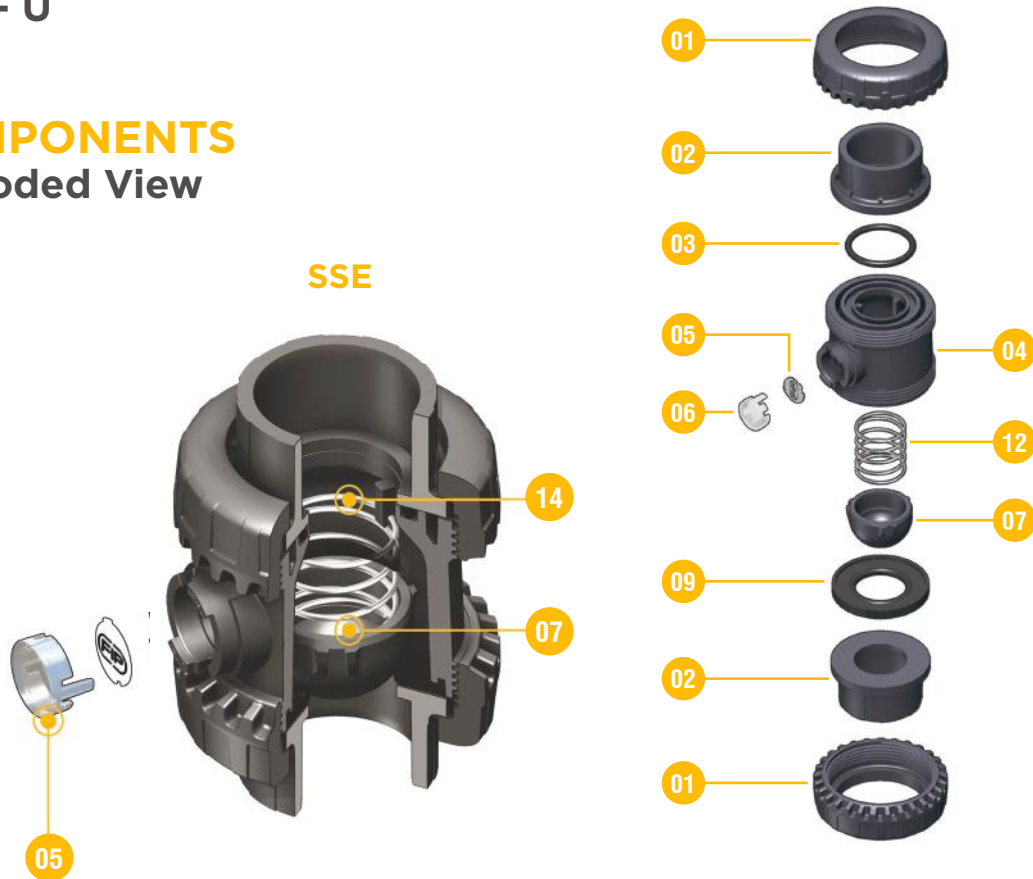
- Material : PVC-U
- Size : DN 10 - 100
- Standard : construction criteria: EN ISO 1452, EN ISO 15493
- Test methods and requirements: ISO 9393
- Installation criteria: DVS 2204, DVS 2221, UNI 11242
- Connection : Socket threaded
- Colour Body : Dark Gray

PRODUCT
FEATURES

- Lowest operating torque.
- Parts can be replaced, simple and economical.
- The Material is Nano-Modified to improve the pressure resistance.
- Thickened Valve body for high compression resistance.
- Each valve 100% pressure tested.
- The body and seal are specially treated for better performance.

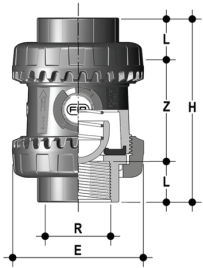
SPRING CHECK VALVE - SSE PVC - U

COMPONENTS Exploded View



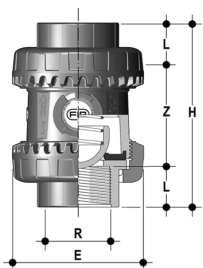
No.	Name	Quantity
01	Union Nut	1
02	End Connector	1
03	Socket Seal O-Ring (EPDM-FKM)	1
04	Body	1
05	Tag Holder	1
06	Transparent Protection Plug	1
07	Ball	1
08	Shutter	1
09	Gland Packing Ring	1
10	Ball Seat O-Ring	1
11	Shutter Gasket	1
12	Ball Seat Carrier	1
13	Radial Seal O-Ring	1
14	Spring (Stainless Steel)	1

SPRING CHECK VALVE - SSE PVC - U



CONNECTION TYPES METRIC SOLVENT SOCKET SERIES

PART #	Size	DIMENSIONS (mm)						
	d	DN	PN	E	H	L	Z	g
0507SSE3EI0035	16	10	16	54	82	14	54	146
0507SSE3EI0050	20	15	16	54	82	16	50	149
0507SSE3EI0075	25	20	16	63	91	19	53	188
0507SSE3EI0100	32	25	16	72	103	22	59	292
0507SSE3EI0125	40	32	16	85	120	26	68	445
0507SSE3EI0150	50	40	16	100	139	31	77	640
0507SSE3EI0200	63	50	16	118	174	38	98	1010
0507SSE3EI0250	75	65	16	157	211	44	123	2480
0507SSE3EI0300	90	80	16	174	148	51	146	3090
0507SSE3EI0400	110	100	16	212	283	61	161	5370



CONNECTION TYPES ASTM SOLVENT SOCKET SERIES

PART #	Size	DIMENSIONS (mm)						
	R	DN	PN	E	H	L	Z	g
0507SSE3E30035	3/8"	10	16	54	82	11.4	59.2	146
0507SSE3E30050	1/2"	15	16	54	90	15	60	149
0507SSE3E30075	3/4"	20	16	63	93	16.3	60.4	188
0507SSE3E30100	1"	25	16	72	110	19.1	71.8	292
0507SSE3E30125	1 1/4"	32	16	85	127	21.4	84.2	445
0507SSE3E30150	1 1/2"	40	16	100	131	21.4	88.2	640
0507SSE3E30200	2"	50	16	118	161	25.7	109.6	1010
0507SSE3E30250	2 1/2"	65	16	157	211	30.2	150.5	2480
0507SSE3EI0300	3"	80	16	174	248	33.3	181.4	3090
0507SSE3EI0400	4"	100	16	212	283	39.3	204.4	5370



MANUAL & AUTOMATIC
VALVES