

VALVES

MANUAL & AUTOMATIC

VALVES
ARE MECHANICAL
DEVICES THAT
CONTROL THE **FLOW**
AND **PRESSURE** WITHIN
A SYSTEM
OR PROCESS.

PVC - U SWING CHECK VALVE

General:

Material	PVC - U
Seal Material	ASTM - DIN* - JIS*
Ball Seating Joint	PTFE
Dimensions	DN15 - DN200 1/2" - 8" 16A - 200A



VALVE SPECIFICATION

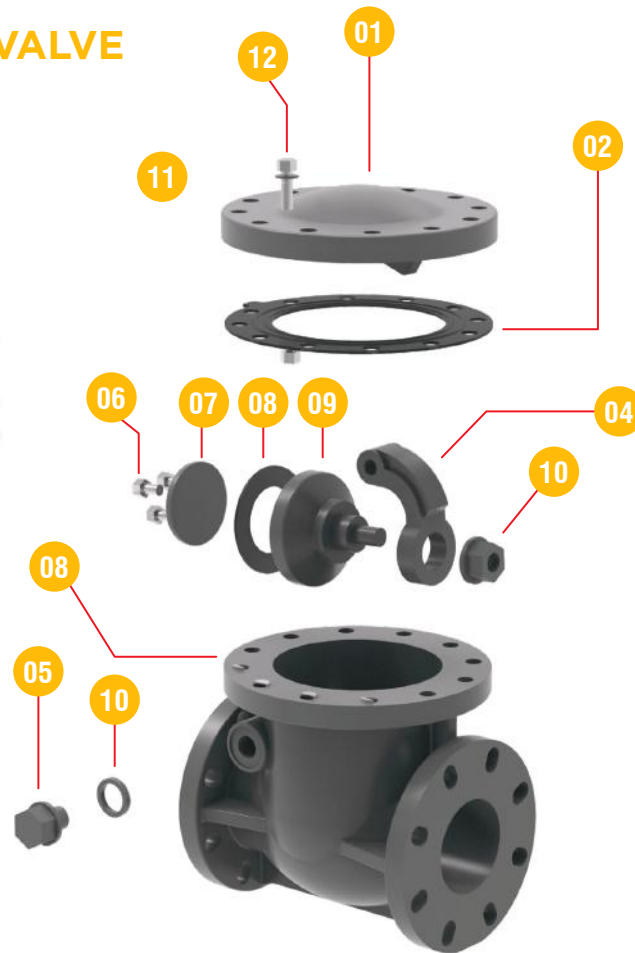
- Material : PVC - U
- Size : DN 15-200 1/2" - 8" 16A-200A
- Standard : ASTM - DIN* - JIS*
- Connection : Flanged
- Colour Body : Dark Gray

PRODUCT FEATURES

- Simple economy.
- The material is nano-modified to improve the pressure resistance and impact resistance of the product.
- Thickened valve body for high compression resistance.
- Each valve 100% pressure tested.
- The body and seal are specially treated for better performance.

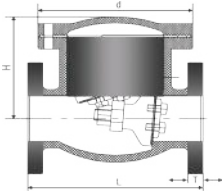
SWINGING CHECK VALVE PVC - U

COMPONENTS Exploded View



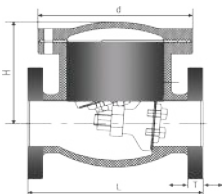
No.	Name	Quantity	Material
01	End Cover	1	PVC-U
02	Gasket 1	1	EPDM/FPM
03	Body	1	PVC-U
04	Hinge	1	PVC-U
05	Pin	1	PTFE
06	Hexagon Bolt	1 - 4	PVC U
07	Coverplate	1	PVC-U
08	Gasket 2	1	EPDM / FPM
09	Flap	1	PVC-U
10	Nut	1	PVC-U
11	Spring Washer	8 - 12	Stainless steel 304
12	Hexagon Bolt	8 - 12	Stainless steel 304

SWINGING CHECK VALVE PVC - U



CONNECTION TYPES METRIC WAFER TYPE FLANGE SERIES

PART #	Size	DIMENSIONS (mm)								
	d	DN	PN	D	D1	L	T	H	d	n- ϕe
0510TCV3E50050	1/2"	15	16	100	60	140	15	93	87	4 - 16
0510TCV3E50075	3/4"	20	16	100	70	140	15	93	87	4 - 16
0510TCV3E50100	1"	25	16	120	79	160	15	117	130	4 - 16
0510TCV3E50125	1 1/4"	32	16	140	88.9	180	19	137	146	4 - 16
0510TCV3E50150	1 1/2"	40	16	140	98	180	19	137	146	4 - 16
0510TCV3E50200	2"	50	16	165	121	200	20	156	167	4 - 19
0510TCV3E50250	2 1/2"	65	16	185	140	240	22	170.2	203	4 - 19
0510TCV3E50300	3"	80	16	200	152	260	22	181	230	8 - 19
0510TCV3E50400	4"	100	16	224	191	300	24	216	278	8 - 19
0510TCV3E50500	5"	125	16	254	216	300	24	216	278	8 - 22
0510TCV3E50600	6"	150	16	285	241	400	26	286	394	8 - 22
0510TCV3E50800	8"	200	16	324	298	500	30	336	476	8 - 22



CONNECTION TYPES ASTM WAFER TYPE FLANGE SERIES

PART #	Size	DIMENSIONS (mm)								
	d	DN	PN	D	D1	L	T	H	d	n- ϕe
0510TCV3E50050	15	15	16	100	65	140	15	93	87	4 - 16
0510TCV3E50075	20	20	16	100	75	140	15	93	87	4 - 16
0510TCV3E50100	25	25	16	120	85	160	15	117	130	4 - 16
0510TCV3E50125	32	32	16	140	100	180	19	137	146	4 - 16
0510TCV3E50150	40	40	16	140	110	180	19	137	146	4 - 16
0510TCV3E50200	50	50	16	165	125	200	20	156	167	4 - 19
0510TCV3E50250	65	65	16	185	145	240	22	170.2	203	4 - 19
0510TCV3E50300	80	80	16	200	160	260	22	181	230	8 - 19
0510TCV3E50400	100	100	16	224	180	300	24	216	278	8 - 19
0510TCV3E50500	125	125	16	254	210	300	24	216	278	8 - 22
0510TCV3E50600	150	150	16	285	240	400	26	286	394	8 - 22
0510TCV3E50800	200	200	16	324	295	500	30	336	476	8 - 22



MANUAL & AUTOMATIC
VALVES